

PRICE LIST

**TO PLACE AN ORDER OR REQUEST A QUOTE
PLEASE VISIT OUR WEBSITE**

www.arkansaswooddoors.com

**SCROLL OVER THE TYPE OF DOOR YOU CHOOSE
AND CLICK ON THE 'ORDER FORM' OPTION,
AT THE BOTTOM OF THE DROP-DOWN MENU.
FILL IN THE REQUIRED FIELDS & CLICK NEXT,
UNTIL YOU COMPLETE THE FORM.**

**WE WILL GET BACK TO YOU, WITH
CONFIRMATION OF YOUR ORDER OR QUOTE,
IN A TIMELY MANNER.**



100 Series - Solid Wood Raised Panel Doors

COPE & STICK - 5 PIECE DOORS

STYLE	BAND 1	BAND 2	BAND 3	BAND 4	BAND 5
101RP	\$25.00	\$27.00	\$29.00	\$37.00	\$41.00
1011RP	\$28.00	\$30.00	\$32.00	\$40.00	\$44.00
101RP-DF	\$25.00	\$27.00	\$29.00	\$37.00	\$41.00
102/104RP	\$27.00	\$29.00	\$31.00	\$39.00	\$43.00
1022/1044RP	\$30.00	\$32.00	\$34.00	\$42.00	\$46.00
103/105RP	\$29.00	\$31.00	\$33.00	\$41.00	\$45.00
1033/1055RP	\$32.00	\$34.00	\$36.00	\$44.00	\$48.00

Wood Species

Band 1: Red Oak, Nat. S. Maple, Paint Grade, Poplar, Yellow Pine

Band 2: Alder, Wh. S. Maple, Ash, Hickory, White Oak

Band 3: Birch, Cherry, Beech, Nat Hard Maple, Cypress

Band 4: Walnut

Band 5: African Mahogany

Other wood species available, quoted at time of order.

Notes - PRICES ARE PER SQ/FT

1. Non-standard rail or stile dimension add \$2.00 per sq/ft
2. Minimum charge for Doors & 5-piece DF, 1.6 sq/ft
3. Doors over 40" in height, made with 2 even panels
4. Vertical grain option on 5 pc. DF add, \$2.00 per sq/ft
5. Twin panel doors, add \$2.00 per sq/ft. Minimum Door width 13"
6. Minimum dimensions: Doors: 8"w x 8"h 5-piece DF: 8"w x 6"h
7. End panels/ Bar Backs, add \$15.00 per sq/ft
8. Beaded panels, add \$2.00 per sq/ft
9. Applied molding option, add \$10.00 per sq/ft. Not available for Arch Style Doors.
10. Manufacturing tolerance overall size: +/- 1/16", 2mm

Wood Species

Band 1: Red Oak, Nat. S. Maple, Paint Grade, Poplar, Yellow Pine

Band 2: Alder, Wh. S. Maple, Ash, Hickory, White Oak

Band 3: Birch, Cherry, Beech, Nat Hard Maple, Radiata Pine

Band 4: Cypress, Walnut

Band 5: African Mahogany

Other wood species available, quoted at time of order.

MITER FRAME DOORS

STYLE	BAND 1	BAND 2	BAND 3	BAND 4	BAND 5
101RP	\$28.00	\$30.00	\$32.00	\$40.00	\$44.00
1011RP	\$31.00	\$33.00	\$35.00	\$44.00	\$48.00
101RP-DF	\$28.00	\$30.00	\$32.00	\$40.00	\$44.00

Notes - PRICES ARE PER SQ/FT

1. Minimum charge for doors & 5-piece DF, 1.6 sq/ft
2. Vertical grain option on 5 pc. DF add, \$2.00 per sq/ft

Standard style miter doors - M0131, M2581, M2693, M3198, M2931

1. Minimum dimensions: Doors: 8"w x 8"h 5pc DF: 8"w x 6"h
2. All doors over 40" in height, will be made with 2 even panels
3. Twin panel style Doors, add \$2.00 per sq/ft. Minimum Door width 13"
4. Beaded panels, add \$2.00 per sq/ft
5. Non-standard rail or stile dimension, add \$2.00 per sq/ft

Designer style miter doors - M330, M331, M332, M333, M334, M335, M336, M337, M338, M339, M340

1. Minimum dimensions: Doors: 10"w x 10"h 5pc DF: 10"w x 7"h
2. Center rail used on 2 panel doors over 40" long will be 2 1/4" wide and have no profile
3. End Panels/Bar Backs are limited, will discuss options.
4. Tolerance of designer miter joints, +/- 1/32", 1mm
5. Applied rope molding on M335, add \$10.00 per sq/ft.
6. Frame dimension for designer miter doors cannot be altered
7. Manufacturing tolerance overall size, +/- 1/16", 2mm

GLASS - Solid Wood Doors – Ready for glass

COPE & STICK – 5 PIECE GLASS DOORS

STYLE	BAND 1	BAND 2	BAND 3	BAND 4	BAND 5
101 GLASS	\$10.00	\$12.00	\$13.00	\$16.00	\$18.00
102/104 GLASS	\$12.00	\$14.00	\$15.00	\$18.00	\$20.00
103/105 GLASS	\$14.00	\$16.00	\$17.00	\$20.00	\$22.00

Wood Species

Band 1: Red Oak, Nat. S. Maple, Paint Grade, Poplar, Yellow Pine

Band 2: Alder, Wh. S. Maple, Ash, Hickory, White Oak

Band 3: Birch, Cherry, Beech, Nat Hard Maple, Cypress

Band 4: Walnut

Band 5: African Mahogany

Other wood species available, quoted at time of order.

NOTES - PRICES ARE PER SQ/FT

1. Non-standard rail or stile dimension add \$2.00 per sq/ft
3. Glass Doors with Mullions, add \$12.00 per lite,
4. Rubber molding for 1/8" glass, add \$2.00 per sq/ft
5. Minimum dimensions: Doors: 7"w x 7"h
6. Applied molding option add \$10.00 per sq/ft. Not available for Arch style Doors.
7. Manufacturing tolerance overall size, +/- 1/16", 2mm
8. **No glass supplied.**

MITER FRAME GLASS DOORS

STYLE	BAND 1	BAND 2	BAND 3	BAND 4	BAND 5
101GLASS	\$13.00	\$15.00	\$16.00	\$19.00	\$21.00

Wood Species

Band 1: Red Oak, Nat. S. Maple, Paint Grade, Poplar, Yellow Pine

Band 2: Alder, Wh. S. Maple, Ash, Hickory, White Oak

Band 3: Birch, Cherry, Beech, Nat Hard Maple, Cypress

Band 4: Walnut

Band 5: African Mahogany

Other wood species available, quoted at time of order.

Notes - PRICES ARE PER SQ/FT

1. Minimum charge for doors & 5-piece DF, 1.6 sq/ft

Standard style miter doors - M0131, M2581, M2693, M3198, M2931

1. Minimum dimensions: Doors: 7"w x 7"h
2. Rubber molding for 1/8" glass add \$2.00 per sq/ft
3. Glass Doors with Mullions add \$12.00 per lite
4. Non-standard rail or stile dimension - add \$2.00 per sq/ft

Designer style miter doors - M330, M331, M332, M333, M334, M335, M336, M337, M338, M339, M340

1. Minimum dimensions: doors: 9"w x 9"h
2. Tolerance of designer miter joints, +/- 1/32", 1mm
3. Applied rope molding on M335 add \$10.00 per sq/ft.
4. Mullions not available on designer style miter glass doors
5. Frame dimension for designer miter doors cannot be altered
6. Manufacturing tolerance overall size, +/- 1/16", 2mm

200 SERIES - SLAB STYLE DOORS & DRAWER FRONTS

201DF - SLAB DRAWER FRONT

STYLE	BAND 1	BAND 2	BAND 3	BAND 4	BAND 5
201DF	\$10.00	\$12.00	\$13.00	\$14.00	\$22.00

Wood Species

Band 1: Red Oak, Nat. S. Maple, Paint Grade, Poplar, Yellow Pine

Band 2: Alder, Wh. S. Maple, Ash, Hickory, Wh. Oak

Band 3: Birch, Cherry, Beech, Nat Hard Maple, Cypress

Band 4: Walnut

Band 5: African mahogany

Other wood species available, quoted at time of order.

Notes - PRICES ARE PER SQ/FT

1. Minimum charge for Slab style DF, 1 Sq. Ft.

210 SLAB STYLE DOORS

210V 3/4" MDF/PB CORE WITH WOOD VENEER FACE & BACK WITH .6MM VENEER EDGE BAND

STYLE	BAND 1	BAND 2	BAND 3	BAND 4	BAND 5
210V-VERT*	\$13.00	\$16.00	\$19.00	Quoted	Quoted
210V-HORZ**	\$14.00	\$17.00	\$20.00	Quoted	Quoted
210VDF-H**	\$13.00	\$16.00	\$19.00	Quoted	Quoted
210VDF-V*	\$14.00	\$17.00	\$20.00	Quoted	Quoted

Wood Species

Band 1: Red Oak, Nat. Maple, Birch

Band 2: Wh. Maple, Ash, Wh. Oak

Band 3: Alder, Cherry, Hickory

Band 4: Cypress, Walnut

Band 5: African Mahogany

Other wood species available, quoted at time of order.

* Vertical Grain

**Horizontal Grain

Notes - PRICES ARE PER SQ/FT

1. Minimum charge: Doors 1.6 sq/ft, DF & Fillers 1 sq/ft
2. Glass doors, NA
3. We offer 1mm & 2mm Edge Band option, if available, quoted per order
4. Melamine & Laminate option if Color available, quoted per order

210M: 3/4" MDF/PB CORE WITH MELAMINE FACE & BACK AND PVC EDGE BAND

QUOTED PER AVAILABILITY

210L: 3/4" MDF/PB CORE, LAMINATE FACE, MDF BACK, OPTIONAL LAMINATE BACK & PVC EDGE BAND.

QUOTED PER AVAILABILITY

(6mm) Veneer Flat Panel with Solid Wood Frames**COPE & STICK - 5 PIECE DOORS**

STYLE	BAND 1	BAND 2	BAND 3	BAND 4	BAND 5
301FP	\$16.00	\$19.00	\$21.00	\$26.00	\$30.00
3011FP	\$19.00	\$22.00	\$24.00	\$29.00	\$33.00
301FP-DF	\$16.00	\$19.00	\$21.00	\$26.00	\$30.00
302/304FP	\$18.00	\$21.00	\$23.00	\$28.00	\$32.00
3022/3044FP	\$21.00	\$24.00	\$26.00	\$31.00	\$35.00
303/305FP	\$20.00	\$23.00	\$25.00	\$30.00	\$34.00
3033/3055FP	\$23.00	\$26.00	\$28.00	\$33.00	\$37.00

Wood Species

Band 1: Red Oak, Nat. S. Maple, Paint Grade, Poplar, Yellow Pine

Band 2: Alder, Wh. S. Maple, Ash, Hickory, Wh.Oak

Band 3: Birch, Cherry, Beech, Nat Hard Maple

Band 4: Cypress, Walnut

Band 5: African Mahogany

Other wood species available, quoted at time of order.

Notes - PRICES ARE PER SQ/FT

1. Non-standard rail or stile dimension add \$2.00 per sq/ft
2. Minimum charge for Doors & 5-piece DF, 1.6 sq/ft
3. Doors over 40" in height, made with 2 even panels
4. Vertical grain option on 5 pc. DF add \$2.00 per sq/ft
5. Twin panel style doors add \$2.00 per sq/ft. Minimum Door width 12"
6. Minimum dimensions: Doors: 7"w x 7"h 5pc DF: 7"w x 5"h
7. End panels/Bar Backs, add \$20.00 per sq/ft
8. Beaded panels, add \$2.00 per sq/ft
9. Applied molding option add \$10.00 per sq/ft. Not available for Arch Style Doors.
10. Manufacturing tolerance overall size, +/- 1/16", 2mm

MITER FRAME DOORS

STYLE	BAND 1	BAND 2	BAND 3	BAND 4	BAND 5
301FP	\$19.00	\$23.00	\$24.00	\$29.00	\$33.00
3011FP	\$22.00	\$26.00	\$27.00	\$32.00	\$36.00
301FP-DF	\$19.00	\$23.00	\$24.00	\$29.00	\$33.00

Wood Species

Band 1: Red Oak, Nat. S. Maple, Paint Grade, Poplar, Yellow Pine

Band 2: Alder, Wh. S. Maple, Ash, Hickory, W. Oak

Band 3: Birch, Cherry, Beech, Nat Hard Maple, Cypress

Band 4: Walnut

Band 5: African Mahogany

Other wood species available, quoted at time of order.

Notes - PRICES ARE PER SQ/FT

1. Minimum charge for Doors & 5-piece DF, 1.6 sq/ft
 2. Vertical grain option on 5 pc. DF add \$2.00 per sq/ft
- Standard style miter doors - M0131, M2581, M2693, M3198, M2931**
1. Minimum dimensions: Doors: 7"w x 7"h 5pc DF: 7"w x 5"h
 2. All doors over 40" in height, will be made with 2 even panels
 3. Twin panel style doors add \$2.00 per sq/ft. Minimum Door width 12"
 4. Beaded panels add \$2.00 per sq/ft
 5. Nonstandard rail or stile dimension - add \$2.00 per sq/ft

Designer style miter doors - M330, M331, M332, M333, M334, M335, M336, M337, M338, M339, M340

1. Minimum dimensions: Doors: 9"w x 9"h 5-piece DF: 9"w x 7"h
2. Center rail used on 2 panel doors over 40" long with be 2 1/4" wide and will have no profile
3. End Panels/Bar Backs are limited, will discuss options.
4. Tolerance of designer miter joints, +/- 1/32", .8mm
5. Applied rope molding on M335 add \$10.00 per sq/ft.
6. Frame dimension for designer miter doors cannot be altered.
7. Manufacturing tolerance overall size, +/- 1/16" 2mm

Veneer Raised Panel Doors with Solid Wood Frames**COPE & STICK - 5 PIECE DOORS**

STYLE	BAND 1	BAND 2	BAND 3	BAND 4	BAND 5
501VRP	\$18.00	\$21.00	\$23.00	\$28.00	\$32.00
5011VRP	\$21.00	\$24.00	\$26.00	\$31.00	\$35.00
501VRP-DF	\$18.00	\$21.00	\$23.00	\$28.00	\$32.00
502/504VRP	\$20.00	\$23.00	\$25.00	\$30.00	\$34.00
5022/5044VRP	\$23.00	\$26.00	\$28.00	\$33.00	\$37.00
503/505VRP	\$22.00	\$25.00	\$27.00	\$32.00	\$36.00
5033/5055VRP	\$25.00	\$28.00	\$30.00	\$35.00	\$39.00

Wood Species

Band 1: Red Oak, Nat. S. Maple, Paint Grade, Poplar, Yellow Pine

Band 2: Alder, Wh. S. Maple, Ash, Hickory, Wh. Oak

Band 3: Birch, Cherry, Beech, Nat Hard Maple

Band 4: Cypress, Walnut

Band 5: African Mahogany

Other wood species available, quoted at time of order.

Notes - PRICES ARE PER SQ/FT

1. Non-standard rail or stile dimension add \$2.00 per sq/ft
2. Minimum charge for Doors & 5-piece DF, 1.6 sq/ft
3. Doors over 40" in height made with 2 even panels
4. Vertical grain option on 5 pc. DF add, \$2.00 per sq/ft
5. Twin panel Doors add \$2.00 per sq/ft. Minimum Door width 13"
6. Minimum dimensions: Doors: 8"w x 8"h 5pc DF: 8"w x 6"h
7. End panels/ Bar Backs add \$20.00 per sq/ft
8. Beaded panels add \$2.00 per sq/ft
9. Applied molding option add \$10.00 per sq/ft. Not available for Arch Style Doors.
10. Manufacturing tolerance overall size, +/- 1/16", 2mm

Wood Species

Band 1: Red Oak, Nat. S. Maple, Paint Grade, Poplar, Yellow Pine

Band 2: Alder, Wh. S. Maple, Ash, Hickory, Wh. Oak

Band 3: Birch, Cherry, Beech, Nat Hard Maple

Band 4: Cypress, Walnut

Band 5: African Mahogany

Other wood species available, quoted at time of order.

MITER FRAME DOORS

STYLE	BAND 1	BAND 2	BAND 3	BAND 4	BAND 5
501VRP	\$21.00	\$24.00	\$26.00	\$31.00	\$35.00
5011VRP	\$24.00	\$27.00	\$29.00	\$34.00	\$38.00
501VRP-DF	\$21.00	\$24.00	\$26.00	\$31.00	\$35.00

Notes - PRICES ARE PER SQ/FT

1. Minimum charge for Doors & 5-piece DF, 1.6 sq/ft
2. Vertical grain option on 5 pc. DF add, \$2.00 per sq/ft

Standard style miter doors - M0131, M2581, M2693, M3198, M2931

1. Minimum dimensions: doors: 8"w x 8"h 5-piece DF: 8"w x 6"h
2. All doors over 40" in height, will be made with 2 even panels
3. Twin panel style Doors add \$2.00 per sq/ft. Minimum Door width 13"
4. Beaded panels - add \$2.00 per sq/ft
5. Non-standard rail or stile dimension - add \$2.00 per sq/ft

Designer style miter doors - M330, M331, M332, M333, M334, M335, M336, M337, M338, M339, M340

1. Minimum dimensions: Doors: 10"w x 10"h 5piece DF: 10"w x 7"h
2. Center rail used on 2 panel doors over 40" long with be 2 1/4" wide and will have no profile
3. End Panels/Bar Backs are limited, will discuss options.
4. Tolerance of designer miter joints, +/- 1/32" .8mm
5. Applied rope molding on M335 add \$10.00 per sq/ft.
6. Frame dimension for designer miter doors cannot be altered.
7. Manufacturing tolerance overall size, +/- 1/16", 2mm

400(RP) & 300(FP) SERIES – Paint Grade Solid Wood Frames with MDF Raised Panel or 6mm MDF Flat Panel

400 SERIES - COPE & STICK - 5 PIECE DOORS

STYLE	PAINT
401RP	\$14.00
4011RP	\$17.00
401RP-DF	\$14.00
402/404RP	\$16.00
4022/4044RP	\$19.00
403/405RP	\$18.00
4033/4055RP	\$21.00

300 SERIES - COPE & STICK - 5 PIECE DOORS

STYLE	PAINT
301FP	\$13.00
3011FP	\$16.00
3011FP-DF	\$13.00
302/304FP	\$15.00
3022/3044FP	\$17.00
303/305FP	\$17.00
3033/3055FP	\$19.00

Notes - PRICES ARE PER SQ/FT

1. Non-standard rail or stile dimension add \$2.00 per sq/ft
2. Minimum charge for Doors & 5 piece DF, 1.6 sq/ft
3. Doors over 40" in height, made with 2 even panels
4. Vertical grain option on 5 pc. DF add \$2.00 per sq/ft
5. Twin panel style Doors add \$2.00 per sq/ft. Minimum Door width 13" for RP, 12" for FP
6. Minimum dimensions: doors: 8"w x 8"h 5pc drawer fronts: 8"w x 6"h
7. End panels/Bar Backs add \$20.00 per sq/ft
8. Beaded panels add \$2.00 per sq/ft
9. Applied molding option add \$10.00 per sq/ft. Not available for Arch Style Doors.
10. Manufacturing tolerance overall size, +/- 1/16", 2mm

MITER FRAME

STYLE	PAINT	
401RP	\$17.00	
4011RP	\$20.00	
401RP-DF	\$17.00	

MITER FRAME

STYLE	PAINT	
301FP	\$16.00	
3011FP	\$19.00	
301FP-DF	\$15.00	

Standard style miter doors - M0131, M2581, M2693, M3198, M2931

1. Minimum dimensions: Doors: 8"w x 8"h 5-piece DF: 8"w x 6"h
2. All doors over 40" in height, will be made with 2 even panels
3. Twin panel style Doors add \$2.00 per sq/ft. Minimum Door width 13" for RP, 12" for FP
4. Beaded panels - add \$2.00 per sq/ft
5. Non- standard rail or stile dimension add \$2.00 per sq/ft

Designer style miter doors - M330, M331, M332, M333, M334, M335, M336, M337, M338, M339, M340

1. Minimum dimensions: Doors: 10"w x 10"h 5-piece DF: 10"w x 7"h
2. Center rail used on 2 panel doors over 40" long with be 2 1/4" wide and will have no profile
3. End Panels/Bar Backs are limited, will discuss options.
4. Tolerance of designer miter joints, +/- 1/32", 1mm
5. Applied rope molding on M335- add \$10.00 per sq/ft.
6. Frame dimension for designer miter doors cannot be altered.
7. Manufacturing tolerance overall size, +/- 1/16", 2mm

700 SERIES – POLYWRAP DOORS

	4307 Traditional DF	4459 Small Shaker	4741 Transitional	4300 Traditional	4546 Large Shaker
Solid	29	29	29	31	31
Woodgrain	29	29	29	31	31
Aura	N/A	29	29	N/A	N/A
Urbania	N/A	29	29	N/A	31
Alto	N/A	29	29	N/A	31
Woodprint	31	31	31	31	N/A
Riviera Oak	N/A	31	31	N/A	N/A
Viva	N/A	31	31	N/A	N/A

Notes - PRICES ARE PER SQ/FT

1. **Minimum charge for Doors & 5 Piece DF, 1.6 sq/ft.**
2. Minimum Door/DF Sizes change per profile as shown below.
4307: 5" x 5", **4741:** 6" x 6", **4459:** 6" x 6", **4300:** 7" x 7", **4546:** 7" x 7"
3. Maximum Sizes controlled via grain direction (reverse for max horizontal size)
Drawer Front 36"w x 92"h Vertical Grain **Door** 36"w x 95.75"h Vertical Grain
4. Doors over 50" are not covered by any warping warranty.

800 SERIES – MDF & 3DL DOORS

PRICED PER INSIDE PROFILE

PROFILE	MDF		3DL 1	3DL 2	3DL 3
8000-Slab	\$6.00		\$20.00	\$23.00	\$26.00
8101	\$8.00		\$22.00	\$25.00	\$28.00
8102	\$8.00		\$22.00	\$25.00	\$28.00
8103	\$8.00		\$22.00	\$25.00	\$28.00
8104	\$8.00		\$22.00	\$25.00	\$28.00
8201	\$8.00		\$23.00	\$26.00	\$29.00
8202	\$9.00		\$23.00	\$26.00	\$29.00
8203	\$9.00		\$23.00	\$26.00	\$29.00
8204	\$9.00		\$23.00	\$26.00	\$29.00
8301	\$10.00		\$24.00	\$27.00	\$30.00
8302	\$10.00		\$24.00	\$27.00	\$30.00
8401	\$12.00		\$27.00	\$30.00	\$33.00
8402	\$12.00		\$27.00	\$30.00	\$33.00
8403	\$12.00		\$27.00	\$30.00	\$33.00
8404	\$12.00		\$27.00	\$30.00	\$33.00

Notes: PRICES ARE PER SQ/FT

1. Minimum charge for Doors & Routed DF's, 1.6 sq.ft. Slab DF's, 1.0 sq.ft.
2. Doors over 40" in height, made with 2 even panels, unless specified other.
3. Minimum routed Door/Routed DF size: 7" X 7", Slab Door/DF size: 3" x 3".
4. Glass Doors, add \$5.00 to sq.ft. price. Rubber molding option Not Available.
5. Glass Doors with Mullions Not Available.
6. Matching back for 3DL doors, call for availability & price.
7. Horizontal Grain standard for all DF's, Vertical Grain available per request.
8. PSA sheet to match some 3DL colors, call for availability/price.

Finishing, Cabinet Re-facing Supplies

FINISH CHARGES

	SQ.FT.	LINEAL FT.
NATURAL	\$13.00	\$2.00
STAIN	\$15.00	\$3.00
PRIME ONLY	\$7.00	\$1.00

	SQ.FT.	LINEAL FT.
TINTED LAC	\$16.00	\$3.00
RUBBED GLAZE	\$16.00	\$3.00
FULL GLAZE	\$20.00	\$4.00

FLEXIBLE PSA VENEER 24"X 96" (16 SQ.FT.)

Species	Unfinished	Primed or Finished Natural	Finished Stained	Finished Wh.Lacquer
Red Oak	\$90.00	\$190.00	\$210.00	
Maple	\$100.00	\$200.00	\$220.00	\$235.00
Cherry	\$110.00	\$210.00	\$230.00	
Alder	\$155.00	\$255.00	\$275.00	
Hickory	\$145.00	\$245.00	\$265.00	

Cut to custom widths, \$38.00 per 24" x 96" sheet.

CUT-TO-SIZE VENEER PANELS

THICKNESS	BAND 1	BAND 2	BAND 3	BAND 4	BAND 5
1/4"	\$5.00	\$6.00	\$7.00	\$9.00	QUOTE
1/8"	\$6.00	\$7.00	\$8.00	\$10.00	QUOTE

NOTES:

1. Priced per sq. ft., minimum of 1.0 sq. ft. charged per piece
2. Veneer on Face side only, Our option of veneer species on backs.
3. Finish option available Face side only. See Finish Charges, sq.ft., less 50%, added to the sanded prices listed above.

MOLDINGS

ITEM	BAND 1	BAND 2	BAND 3	BAND 4	BAND 5
CR275	\$4.00	\$5.00	\$6.00	Quoted	Quoted
S25/75	\$3.00	\$3.00	\$3.00	Quoted	Quoted
OC75	Quoted	Quoted	Quoted	Quoted	Quoted
BS75	\$3.00	\$3.00	\$3.00	Quoted	Quoted

NOTES:

1. Priced per lineal foot, supplied in 8' lengths
2. Finish option available Face side only. See Finish Charges, Lineal Foot chart, add to the sanded prices above.

FLUTED FILLERS

BAND 1	BAND 2	BAND 3	BAND 4	BAND 5	
\$26.00	\$28.00	\$33.00	\$35.00	QUOTED	

NOTES:

1. Priced per sq. ft., minimum of 1.0 sq. ft. charged per piece

Hinge and Hinge Boring

HINGES & HINGE BORING

1. Drill only, AWD standard drilling specification, regardless of Pattern: \$2.00 per "hinge"
2. Drill only, non-standard specification: \$3.00 per "hinge"
3. Drill and supply hinge, AWD standard drilling specification:
 - Compact Soft Close \$8.00 per hinge
 - Compact Self Close \$5.00 per hinge
4. Drill and supply hinge, non-standard drilling specification, add \$1.00 per hinge.
5. Our stock hinges are set up for 1/2" (13mm) overlay.
6. Other special overlays & special application Hinges available and quoted per application.

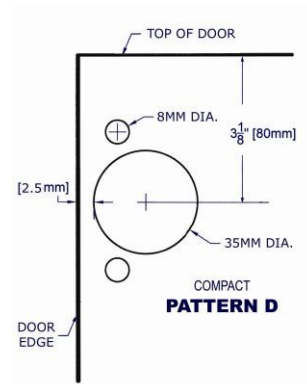
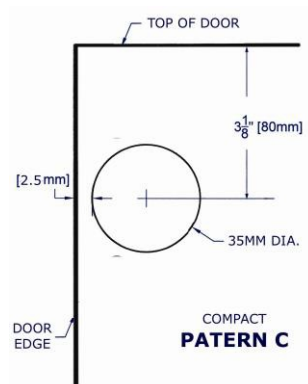
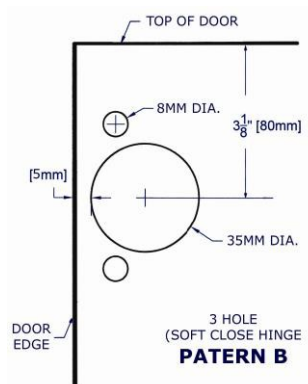
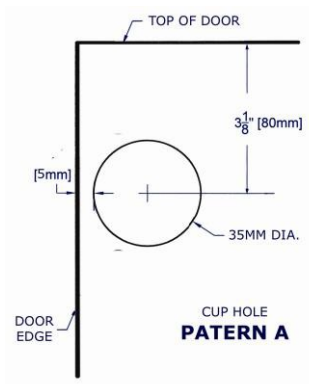


Compact Soft Close Hinge (\$8.00)
Face Frame / Frameless

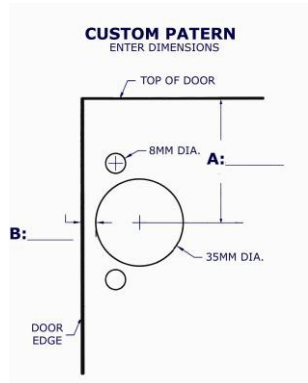
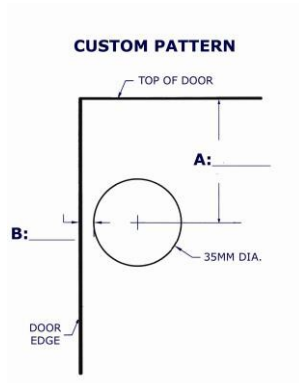


Compact Self Close Hinge (\$5.00)
Face Frame / Frameless

BORE PATTERNS



CUSTOM BORE PATTERNS:



CUSTOM DRAWER BOXES

STANDARD DOVETAIL STYLE DRAWER BOXES



QUOTED PER YOUR SIZES.

OPTIONS INCLUDE:

*NOTCHED FOR GUIDES

*SCOOPED FRONTS FOR ROLL OUTS

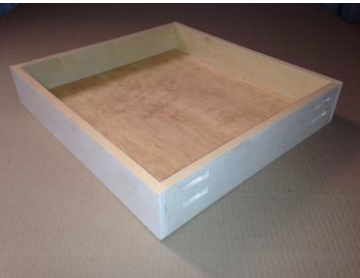
*IRREGULAR SHAPE

*OTHER WOOD SPECIES

STANDARD DOVETAIL

Standard material for sides is 5/8" Maple lumber, 1/4" Maple plywood bottom. Optional 1/2" Maple plywood bottoms available. All Dovetail drawer boxes supplied assembled & with clear lacquer finish.

STANDARD ECONOMY DRAWER BOXES, SUPPLIED RTA



BOX HEIGHT	PRICE
3" to 6"	\$10.00 per sq./ft.
6.0625" to 9"	\$12.00 per sq./ft.
9.0625" to 12"	\$14.00 per sq./ft.

Width X Depth 2.0 sq/ft Minimum

ECONOMY

5/8" UV2S plywood, edge banded top edges, back flush with 5/8" UV2S plywood bottom, all joints with blind tenon, with 5mm hole drilled on back, and supplied with assembly screws.

SHIPPING

The following shipping charges apply to all cabinet door and veneer raised panel orders sent via common carrier or UPS Ground. **These charges are based upon delivery to commercial address and do NOT include any additional surcharges, residential, lift gate, or other charges a carrier may add to AWD standard shipping charges.**

These rates may change and if so AWD will include new rate on your order confirmation.

ZONE #1: AL, AR, FL, GA, IA, IL, IN, KY, KS, LA, MO, MS, NC, OH, OK, SC, TN, TX

Common Carrier: Quoted per current carrier rates.

UPS Ground: \$30.00 per address, plus \$3.00 per door and/or drawer front, \$6.00 per drawer box.

ZONE #2: CO, MI, MN, MT, NE, ND, PA, SD, WI, WV, VA, UT

Common Carrier: Quoted per current carrier rates.

UPS Ground: \$40.00 per address, plus \$3.00 per door and/or drawer front, \$6.00 per drawer box.

ZONE #3: AZ, CA, CT, DC, DE, ID, MA, MD, ME, NH, NM, NJ, NY, NV, RI, OR, WA, WY, VT

Common Carrier: Quoted per current carrier rates.

UPS Ground: \$55.00 per address, plus \$3.00 per door and/or drawer front, \$6.00 per drawer box.

NOTES REGARDING ORDERING FROM AWD

Notes

1. All prices are per Square Foot and exclude applicable Sales Tax, Packaging, and Shipping charges. Terms for all orders: prepay prior start of mfg. We accept Visa, Master Card, AmEx, and Company Checks.
2. AWD will fax a confirmation of your order for your review and final release. This confirmation includes a copy of invoice and packing list which both contain the ship date of your order. Once AWD receives a signed copy of our confirmation, your order will then be put into production. Delays in our receipt of customer release may extend original ship date. Once an order is put into production no changes or cancellations will be accepted.
3. Please order by Door Size only and we strongly recommend using our order forms which have been designed for each of our door categories. Use of door reports generated via various cabinet software is also acceptable, but please include our door and profile codes to accompany your door report..
4. Typical lead time is 7 days for M/T style doors, 9 days for Miter style doors, add 4-5 days for pre finished orders. Rush orders may be accepted per our production volume at the time of request. If accepted, a 45% up charge will apply.
5. Hinge drilling & supply of hinges is also available. See our Hinge Drill Specifications page for details and costs.

Freight Damage is not the responsibility of AWD. All freight companies require that customer inspect the delivered condition of all cartons/pallets prior to signing and accepting delivery. **We recommend making the following notation on each weigh bill presented by the carrier: "SUBJECT TO FURTHER INSPECTION FOR POSSIBLE CONCEALED DAMAGE."** From our experience, AWD recommends that you inspect each door within 24 hours of date of delivery and file claim immediately with carrier.

LIMITED 1 YEAR WARRANTY

Arkansas Wood Doors (AWD) guarantees our manufactured products to be supplied free from defect in workmanship and materials for one year from date of AWD invoice. Warp tolerance will be 1/8"/3mm from diagonal corner measure of 24". Size tolerance is +/-1/16"/2mm. Due to the inherent nature of wood, it is possible for contraction and or expansion to occur. This possible "movement" makes it necessary to set a joint tolerance for our miter style doors of +/- 1/32"/1mm. Doors void of AWD warranty include: over 24"/610mm in width, over 40"/1016mm in length and supplied as a single panel or manufactured "out" of AWD's standard procedure per customer's request. Naturally occurring characteristics in material such as mineral streaks, color, burls, grain patterns, etc are not considered defects. AWD shall not be held liable for improper storage, finishing, handling, assembling, or installation. AWD will only be liable for products ordered by the customer and will not be liable for additional costs incurred by the customer for finishing, installation, labor, etc to remove and/or install a replacement item..

All claims must be made within 5 days of AWD invoice date. AWD may request defective product to be returned for inspection. If so, AWD will arrange for carrier to collect product. Please re-package the item for safe shipment back to AWD. Upon our receipt and inspection AWD will issue a credit toward replacement. Replacement orders are Expedited without additional charge.

Freight Damage is not the responsibility of AWD. All freight companies require that customer inspect the delivered condition of all cartons/pallets prior to signing and accepting delivery. **We recommend making the follow notation on each weigh bill presented by the carrier: "SUBJECT TO FURTHER INSPECTION FOR POSSIBLE CONCEALED DAMAGE."** From our experience, AWD recommends that you inspect each door within 24 hours of date of delivery and file claim immediately with carrier.

Arkansas Wood Doors

18 3rd Street

PO Box 73

Pottsville, AR 72858

Ph. (479)968-5486

Fax (479)968-2934

order@arkansaswooddoors.com

www.arkansaswooddoors.com



Visit our web site, register, and place your order online which will price your order less freight charges.